



# T50-3G-60S1-01

## Flange Termination 60 Watts, 50 $\Omega$

### Electrical Specs

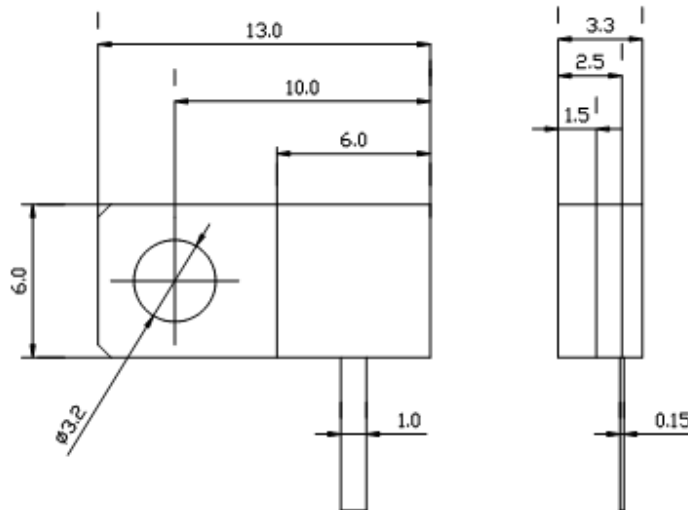
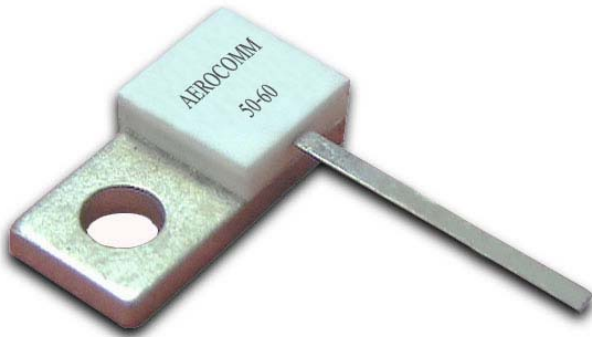
<b>Resistance Value (<math>\Omega</math>) :</b>	50, $\pm 2\%$
<b>Frequency range (MHz) :</b>	DC-3000
<b>Power (Watts) :</b>	60
<b>VSWR :</b>	1.10 : 1

### Mechanical Specs

<b>Flange Style :</b>	1 Hole
<b>Flange Size WxLxT (mm.) :</b>	6.0 x 13.0 x 1.5
<b>Tab width/Thickness (mm.) :</b>	1.0/0.150
<b>Tab Height (mm.) :</b>	2.5
<b>Mounting Hole Dia.(mm.) :</b>	3.5

### Environment & Others

<b>Operating Temp. :</b>	-55°C to + 150°C
<b>Resistive Element :</b>	Thick film
<b>Substrate :</b>	BeO
<b>Cover :</b>	Al <sub>2</sub> O <sub>3</sub>
<b>Lead :</b>	Silver or Copper



unit : mm.

### AEROCOMM Co., Ltd.

89 & 89/1 Intamara 41, Sutthisarn Road , Dindaeng , Bangkok 10400 THAILAND

Tel : (662) 6938300 - 2, (662) 6937880 - 1 Fax : (662) 6938304

Email : [aerocomm@aerocommthailand.com](mailto:aerocomm@aerocommthailand.com) Website : [www.aerocommthailand.com](http://www.aerocommthailand.com)

Specifications contained herein are subject to change without notice. AeroComm Co., Ltd. assumes no liability for the use of this information.