



# R50-2G-250F2-00

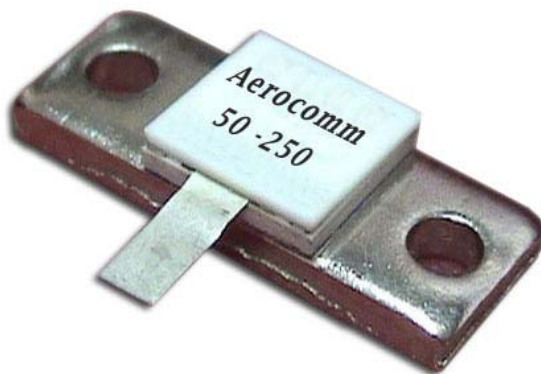
## Flange Resistor 250 Watts, 50 $\Omega$

### Electrical Specs

Resistance Value ( $\Omega$ ) :	50, $\pm 2\%$
Frequency range (MHz) :	DC-2000
Power (Watts) :	250
VSWR :	1.20 : 1

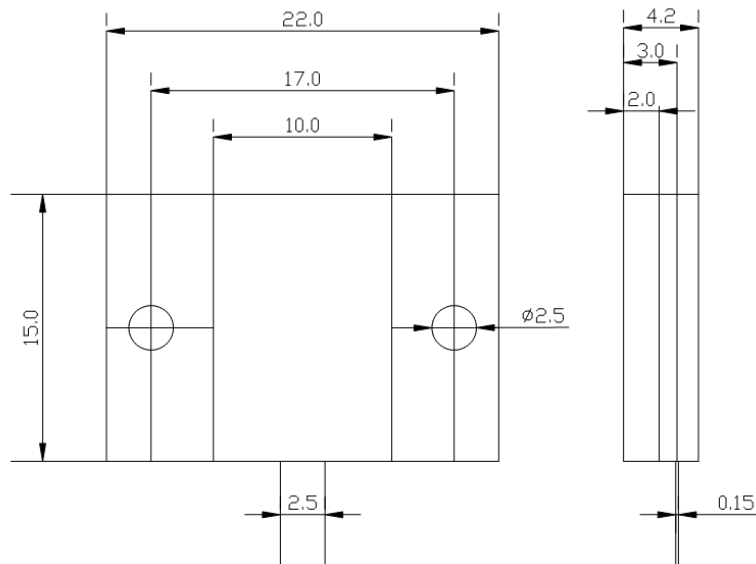
### Mechanical Specs

Flange Style :	2 Holes
Flange Size WxLxT (mm.) :	15.0 x 22.0 x 2.0
Tab width/Thickness (mm.) :	2.5/0.15
Tab Height (mm.) :	3.0
Mounting Hole Dia.(mm.) :	2.5
Distance between Holes (mm.) :	17.0



### Environment & Others

Operating Temp. :	-55°C to + 150°C
Resistive Element :	Thick film
Substrate :	BeO
Cover :	Al <sub>2</sub> O <sub>3</sub>
Mounting Flange :	Copper, nickel plated
Lead :	Silver or Copper



### AEROCOMM Co., Ltd.

89 & 89/1 Intamara 41, Sutthisarn Road , Dindaeng , Bangkok 10400 THAILAND

Tel : (662) 6938300 - 2, (662) 6937880 - 1 Fax : (662) 6938304

Email : [aerocomm@aerocommthailand.com](mailto:aerocomm@aerocommthailand.com) Website : [www.aerocommthailand.com](http://www.aerocommthailand.com)

Specifications contained herein are subject to change without notice. AeroComm Co., Ltd. assumes no liability for the use of this information.